

# Fluid control equipments

No. 77/500, T.N.C.C Building, Annasai,  
Teynampet, Chennai - 600 006.

Telefax: +91-44-24481130  
E-mail : flu\_con@vsnl.com  
Website: www.flu-con.com

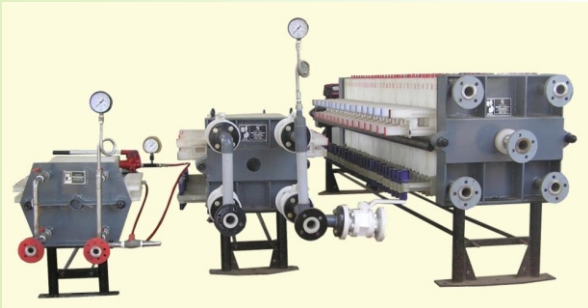
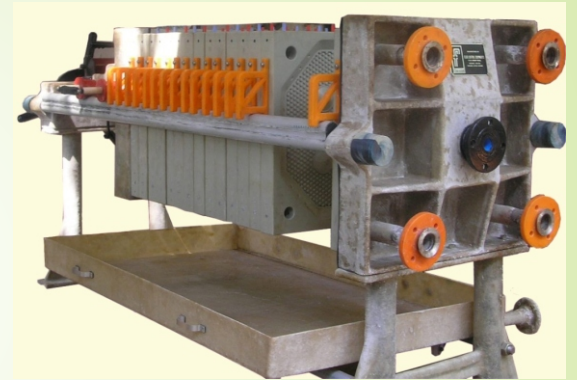
## POLYPROPYLENE "COMMANDER"

## FILTER PRESS (Series-600)

We are leading manufacturers of pressure filtration equipments in Tamilnadu for over 35 years. The Executor series filter presses are best suited for chemical and process industries and for effluent and sewage treatment plants handling flow rates of 100 to 500 KLD of slurry per day. We have supplied more than 1000 presses to various clients all over India, and to countries like Bangladesh, Malaysia, Srilanka, Jordan etc., with various stages of automation. We custom build filter presses according to customer needs after conducting pilot studies.

### **FILTER PRESS : WHAT IS IT?**

Filter press is a device which is used for separating suspended solids from the liquids. In the plate&frame type the plates, the frames, and the plate accessories of the filter press are placed on two horizontal parallel bars and are pressed together in between two end plates (i.e. Fixed and moving ends) by a closing device. The material to be filtered is then pumped into the press which goes to all the frames where the filter media stops the suspended solids and allows only the clear liquid to go through the discharge ports leaving the solids in the frame.



In the recessed type, the slurry is fed through the central inlet and the solids are retained in the recess between the plates, while the filtrate is collected through the corners.

## SOME OF OUR DISTINGUISHED CLIENTS

### **FOOD AND BEVERAGES**

INDO NISSION FOODS LTD  
MEGA TRENDS INC (TORINO)  
KALIMARK BEVERAGES LTD

### **EFFLUENT AND SEWAGE TREATMENT CONSULTANTS**

AQUA DESIGN INDIA LTD  
LIVING WATERFINE TECHNOLOGIES PVT LTD  
QUALITY WATER MANAGEMENT SYSTEMS PVT LTD

### **HERBAL AND BIOTECHNOLOGY**

KOTHARIPHYTO CHEMICALS INTERNATIONAL  
MALLADI DRUGS AND PHARMACEUTICALS  
THANGAM EXTRACTS

### **BATTERIES**

INDO NATIONAL GROUP (NIPPO BATTERIES)  
AMARA RAJA INDUSTRIES LTD (AMARON BATTERIES)  
TAFE POWER SOURCE DIVISION

### **TEXTILES AND LEATHERS**

BASIC CHEMICALS & INTERMEDIATES  
TEXTAN CHEMICALS PVT LTD  
RISHAB INTERMEDIATES

### **CHEMICAL INDUSTRIES**

CHEMPLAST SANNAR PVT LTD  
SOUTHERN CHEMICALS PVT LTD  
AAR VEE CHEM

### **RUBBER AND LATEX PROCESSING**

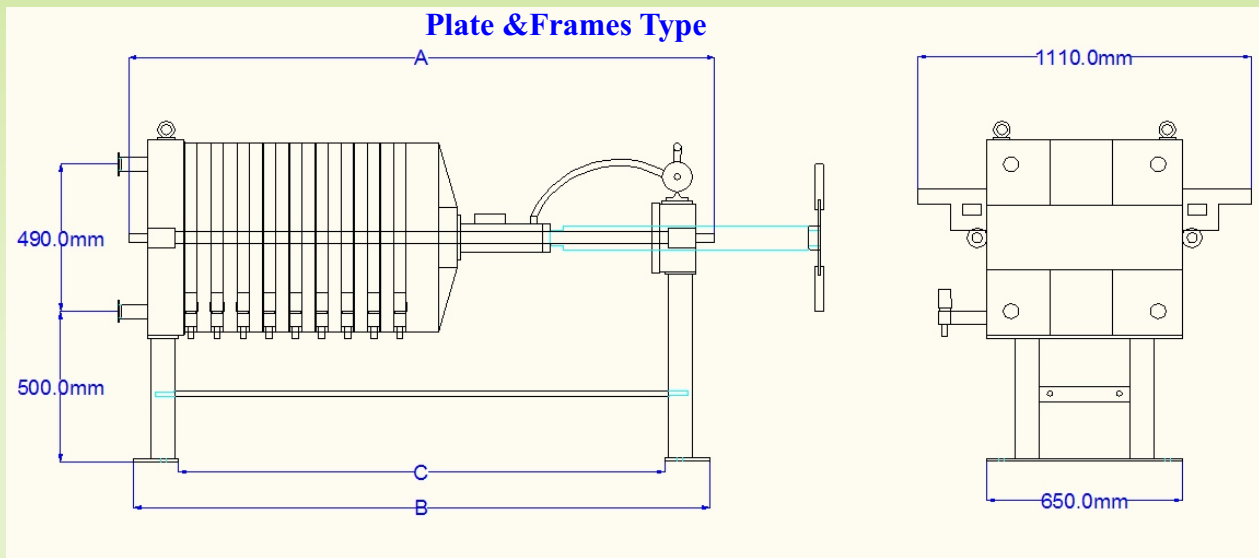
COMFOAMS LTD  
MARDEC LATEX PVT LTD  
R.K. LATEX PVT LTD

### **GOVT. INDUSTRIES AND LABS**

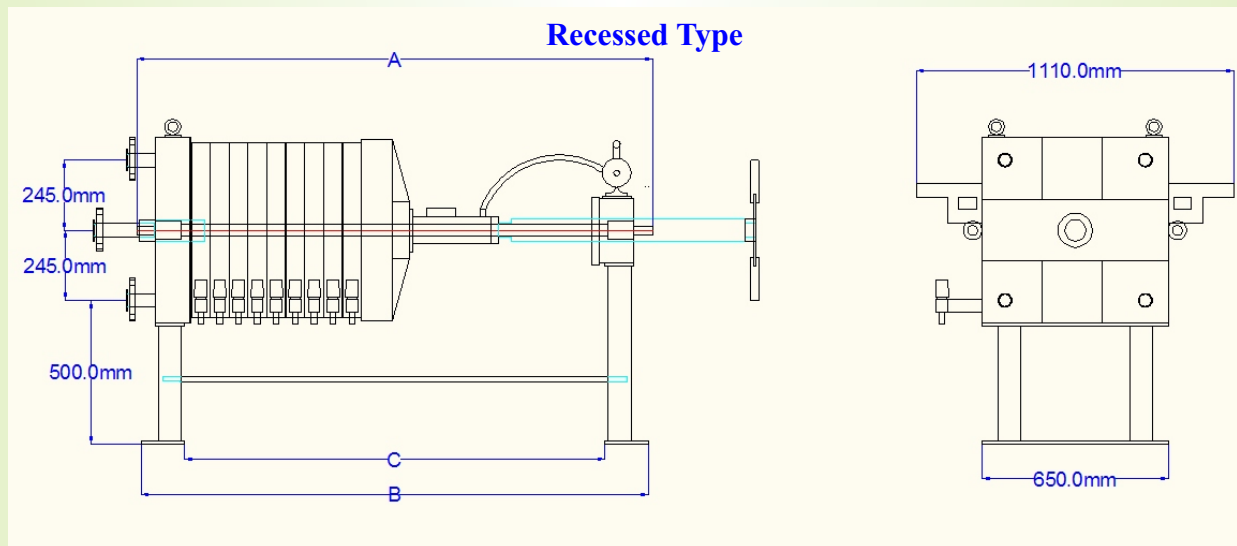
CENTRAL LEATHER RESEARCH INSTITUTES  
INDIAN INSTITUTE OF TECHNOLOGY, MADRAS  
MURHOPYE SCIENTIFIC

# SPECIFICATION

## FILTRATION AREA AND CAKE HOLDING VOLUME CHART FOR RECESSED & PLATE AND FRAME FILTER PRESSES



Size	No. of Frames	Thick in mm.	Cake Vol. In Liters	Area in Sq.m.	Dimension in mm		
					A	B	C
630 mm (24")	10	40	90.75	6.65	2100	2070	1770
	14	40	127.05	8.50	2450	2420	2120
	20	40	181.5	12.14	2950	2920	2620
	24	40	217.8	14.57	3300	3270	2970
	30	40	272.25	18.22	3850	3820	3520



Size	No. of Frames	Thick in mm.	Cake Vol. In Liters	Area in Sq.m.	Dimension in mm		
					A	B	C
610 mm (24")	10	40	90.75	6.65	1950	1900	1600
	14	40	127.05	8.50	2200	2150	1850
	20	40	181.5	12.14	2600	2550	2250
	24	40	217.8	14.57	2850	2800	2500
	30	40	272.25	18.22	3250	3200	2900

All Dimensions are approximate confirm with us for exact details

\* For Manual closing A,B,C will be approximate 250mm less

\*\* For Motor Hydraulic closing A,B,C will be approximate 100mm less